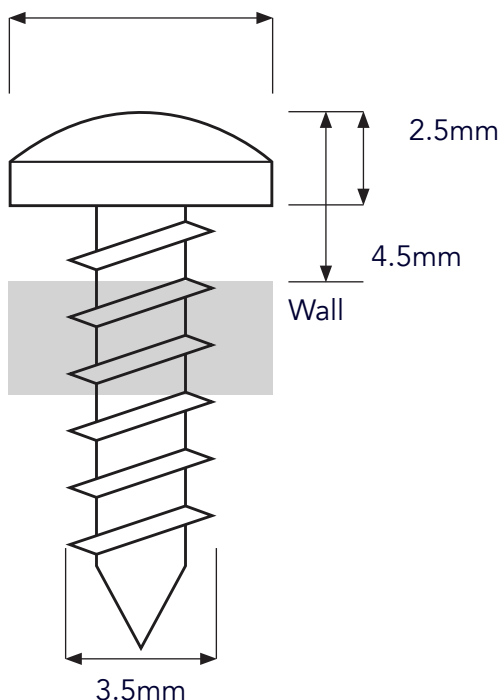
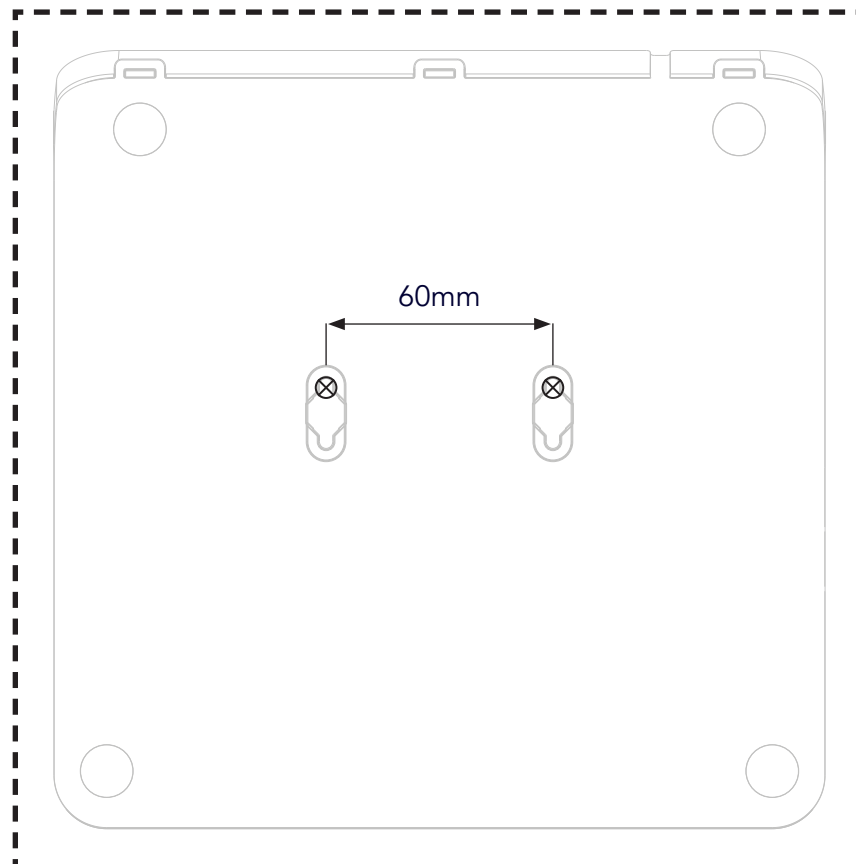


Platinum Wall Mount Instructions



Requirements:

2x panhead screws with the following maximum dimensions:

- max shaft diameter: 3.5mm
- max head diameter: 7mm
- max head height: 2.5mm

Instructions:

Mount the two screws 60mm apart, making sure the top of the screw head sticks out a minimum of 4.5mm from the wall.

Ensure there is enough clearance around each side of the Platinum (more than 3cm) to provide proper ventilation.

Slide the Platinum's mount points onto the screws. The Platinum can be oriented with the ports facing either up or down.