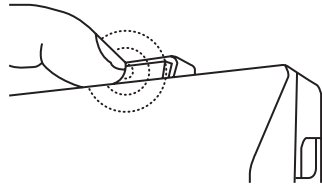
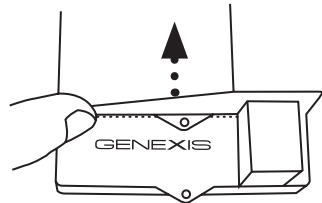


1. Removing dummy cover

- Push and hold the unlocking button.



- Move the dummy cover vertically until it is even with the marked line and take it off.

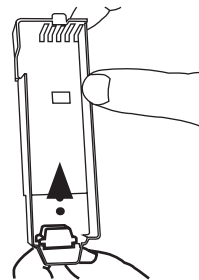


2. Preparation and installation of the CATV receiver (optional, not available on Element-P1090)

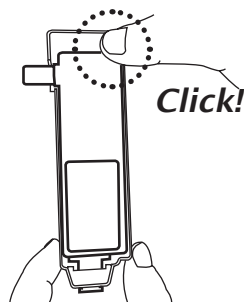
- Remove the CATV drawer from the base plate.



- Remove the dust cap from the CATV drawer.

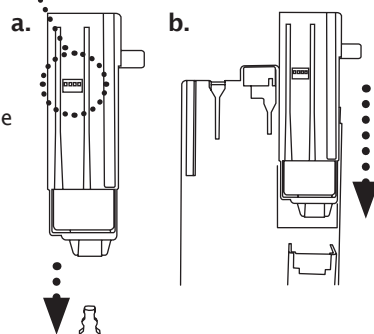


- Place the CATV receiver inside the CATV drawer. Push gently until you hear an audible 'click'. Make sure the electrical connector of the CATV receiver sticks through the CATV drawer (a).



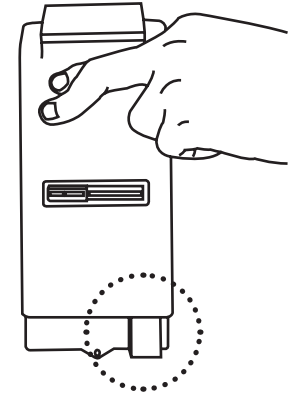
- Remove the dust cap from the CATV receiver. (a)

- Slide the CATV drawer back in the FTU and push downwards until you hear an audible 'click'. (b)

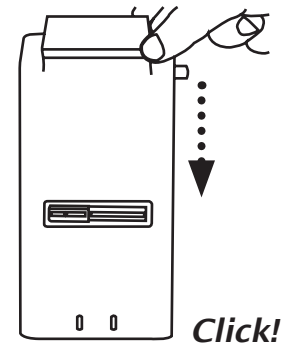


3. Installation of the Hybrid Element

- Remove the protection cap from the Element fiber connector.
- Carefully position the Hybrid Element on top of the Fiber Termination Unit. The bottom of the Element should match the marked line on the FTU.



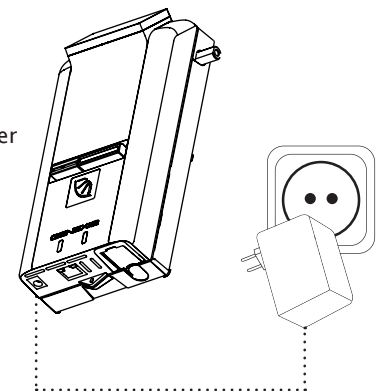
- Install the Hybrid Element by gently pushing the front part, while sliding it down until the FTU is covered and you hear an audible 'click'.



- The Hybrid Element is now correctly installed.

4. Powering of the Hybrid Element

- Connect the 12V plug of the supplied adapter to the Hybrid Element and connect the adapter to a power socket.



Hybrid Element connector numbering

Hybrid Live! slot
(Not available on Element-P1090)

Ethernet port 1
(LAN1)

