

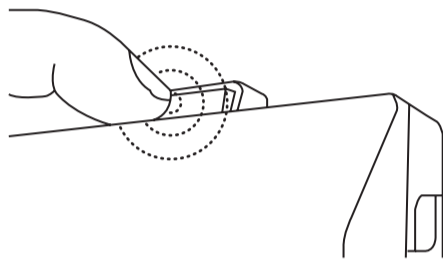
1. Installation kit content

- Base plate
- Dummy cover with dust cap assembled
- Fiber management unit
- Demarcation cover with slide and safety lid assembled
- CATV drawer with dust cap assembled
- 2 Connector holders
- 2 Fiber splice holders
- 2 Connecting pieces
- 2 Tie-wraps
- Foam
- Self tapping screw

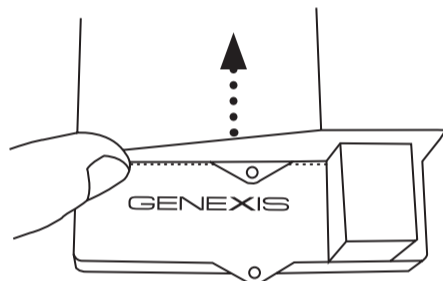
Note: If pigtails are delivered with the installation kit, the pigtails and the connector holders are pre-assembled in the fiber management unit.

2. Removing dummy cover

- Push the security button down while lifting up the dummy cover.

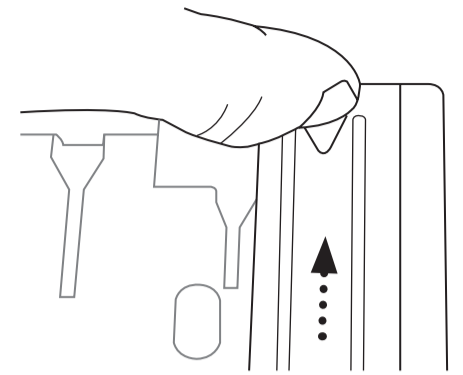


- Move the dummy cover vertically till it is even with the marking line and take it off.

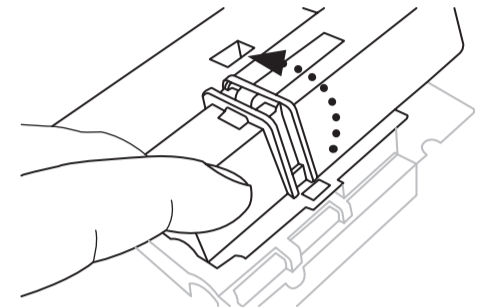


3. Installation of the base plate

- Remove the CATV drawer from the base plate.



- Take out the fiber management unit from the base plate.
- Lift the demarcation cover from the fiber management unit and take it off.

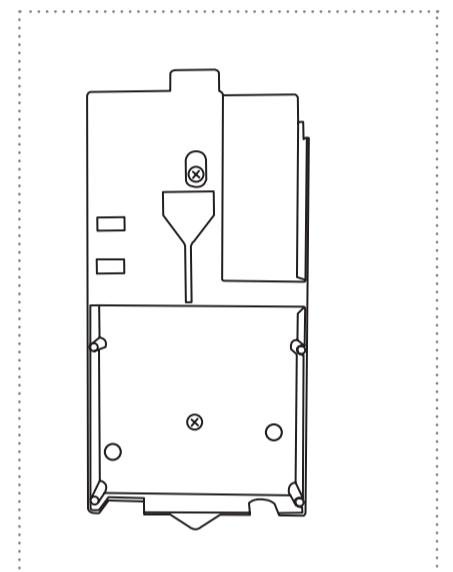


- Select the location for mounting the Universe fiber termination unit:

- * Ensure there is at least 5cm space above the base plate.
- * Ensure there is enough space at the right side and bottom of the Universe FTU to be able to connect the active modules and various cables in a later stage.

- Mount the base plate vertically to the wall. It will be mounted using the available screw holes. Depending on the wall material, you may need to drill holes and insert plugs first (not included).

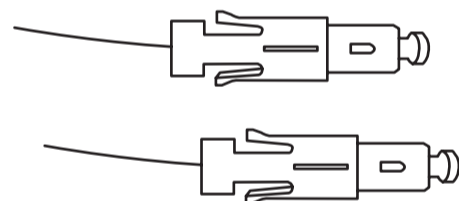
Note: A drilling template can be downloaded from the Genexis website, www.genexis.eu



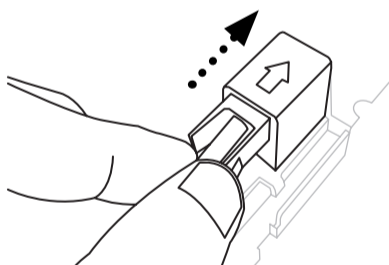
4. Installation of the connectors

Note: If pigtails are pre-installed, please skip the following steps.

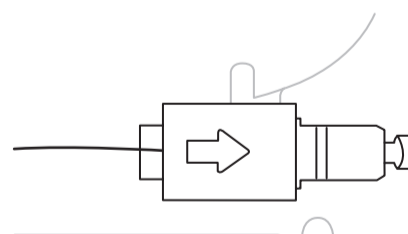
- Position the blue connector and the green connector in the connector holders.
- Make sure the orientation knob of the connector points in the same direction as the orientation knob of the connector holder.



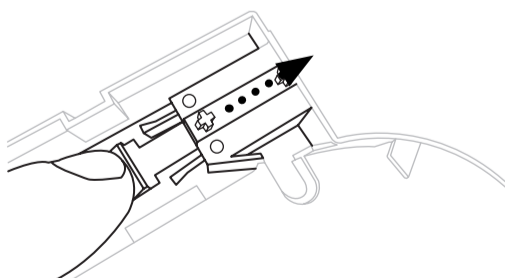
- Install the blue connector in the top side entrance of the fiber management unit. There is only one orientation that fits.



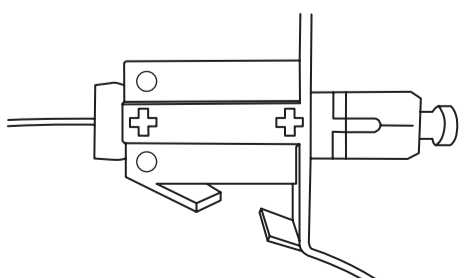
- The connector is installed correctly if it looks comparable to the picture.



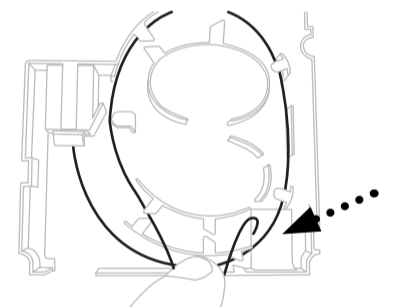
- Install the green connector in the bottom side entrance of the fiber management unit. There is only one orientation that fits.



- The connector is installed correctly if it looks comparable to the picture.



- Make one loop with the green fiber pigtail on the bottom side of the fiber management unit.
- Bring the remainder of the fiber to the top side of the fiber management unit by guiding the fiber through the hole as indicated in the picture.



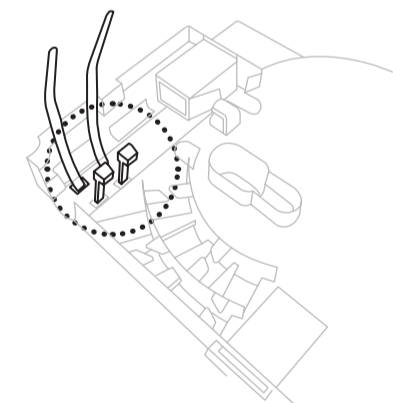
5. Installation of the feeder cable

Note: If pigtails are pre-installed, unroll the pigtails before proceeding.

- Install the 2 tie-wraps in the fiber management unit.

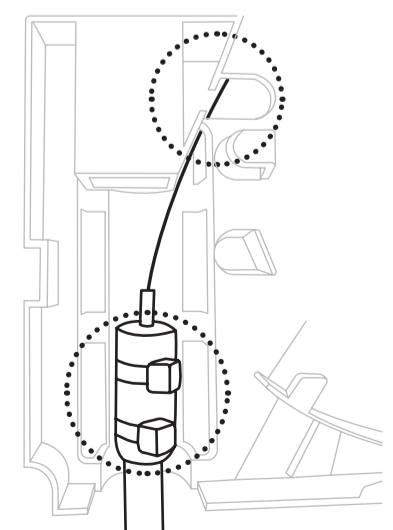
Make sure there is enough overlength of bare fiber available for splicing and make sure the length of the feeder cable is reduced to the appropriate length.

- Strip the fibers as desired.



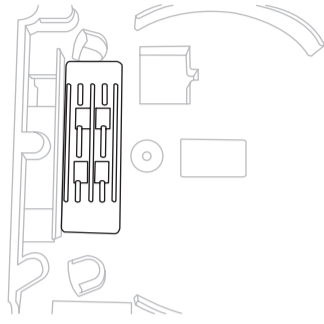
- Foam tape is wrapped around the cable for extra firm fixation.
- Guide the incoming bare fiber to the top side of the fiber management unit as indicated in the picture.

- Position the cable in the fiber management unit as indicated in the picture.
- Secure the cable to the fiber management unit using the tie-wraps.
- Cut the overlength of the tie-wraps.

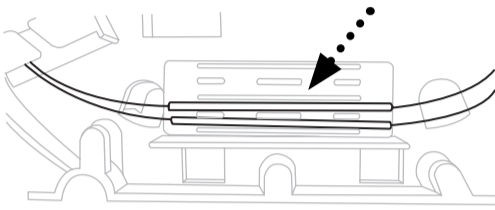


6. Fiber splicing & fiber storing

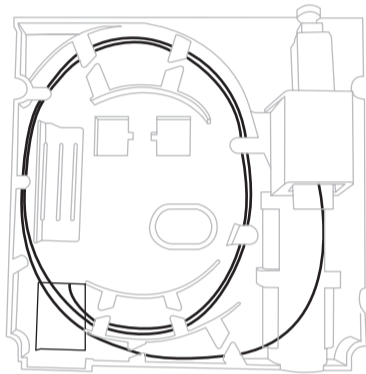
- Insert the correct fiber splice holder in the location as indicated in the picture.



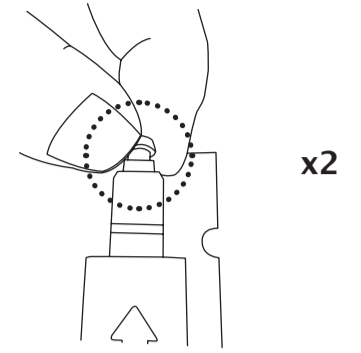
- Strip, clean and cleave the feeder fibers and the fiber pigtails, and splice the fibers.
- Place the splices in the fiber splice holder.



- Store the fiber overlength of fiber on the top side of the fiber management unit.

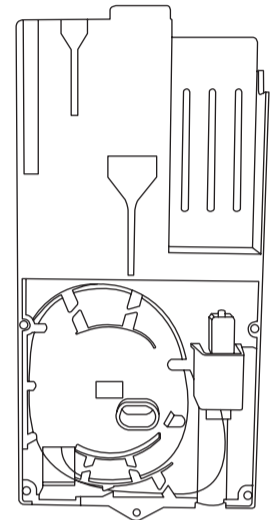


- Remove the dust caps from the fiber connectors. Both dummy cover and CATV drawer have integrated dust caps to protect the fiber tip.

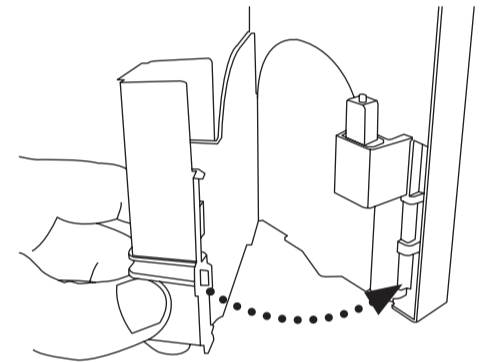


7. Placing and closing the fiber management unit

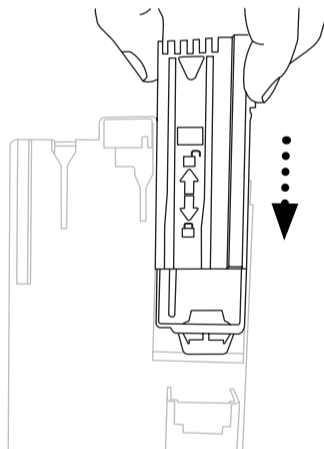
- Place the fiber management unit in the base plate.



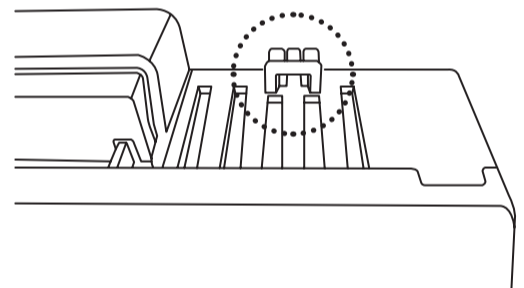
- Install the demarcation cover. Make sure all fibers are well contained inside the fiber management unit.



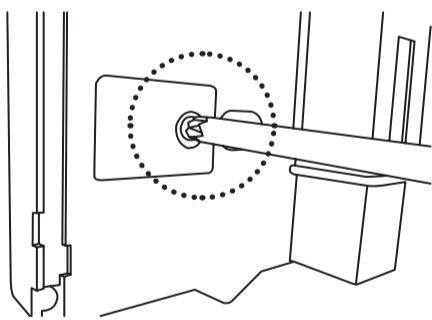
- Place the CATV drawer in the fiber management unit.



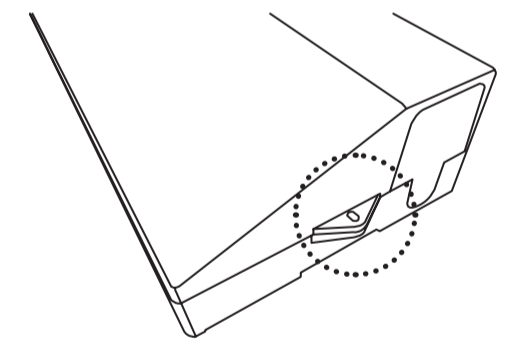
- Optional: Seal the CATV drawer by placing a seal tag (not included) through the holes indicated in the picture.



- Secure the demarcation cover with the screw.
- Optional: Seal the fiber storage with a sticker (not included) over the screw.



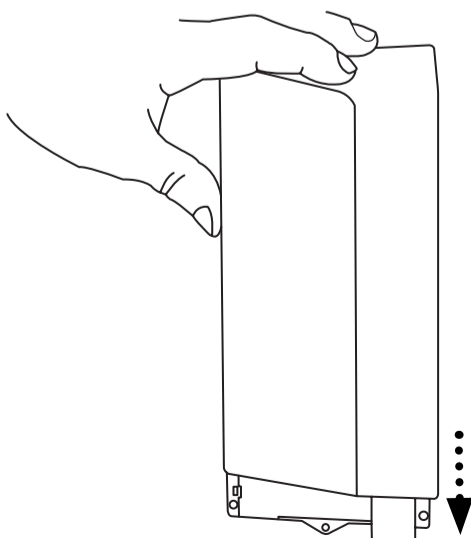
- Optional: Seal the dummy cover to the base plate by placing a seal tag (not included) through the holes as indicated in the picture.



8. Closing the Fiber Termination Unit

Note: alternatively, you may now install a Hybrid Element on top of the Universe FTU.

- Position the dummy cover even with the marking line. Move the dummy cover towards the wall.
- Push down the dummy cover until it fits exactly on the base plate.



- At the end of the Universe installation the fiber termination unit should look comparable to the picture.

